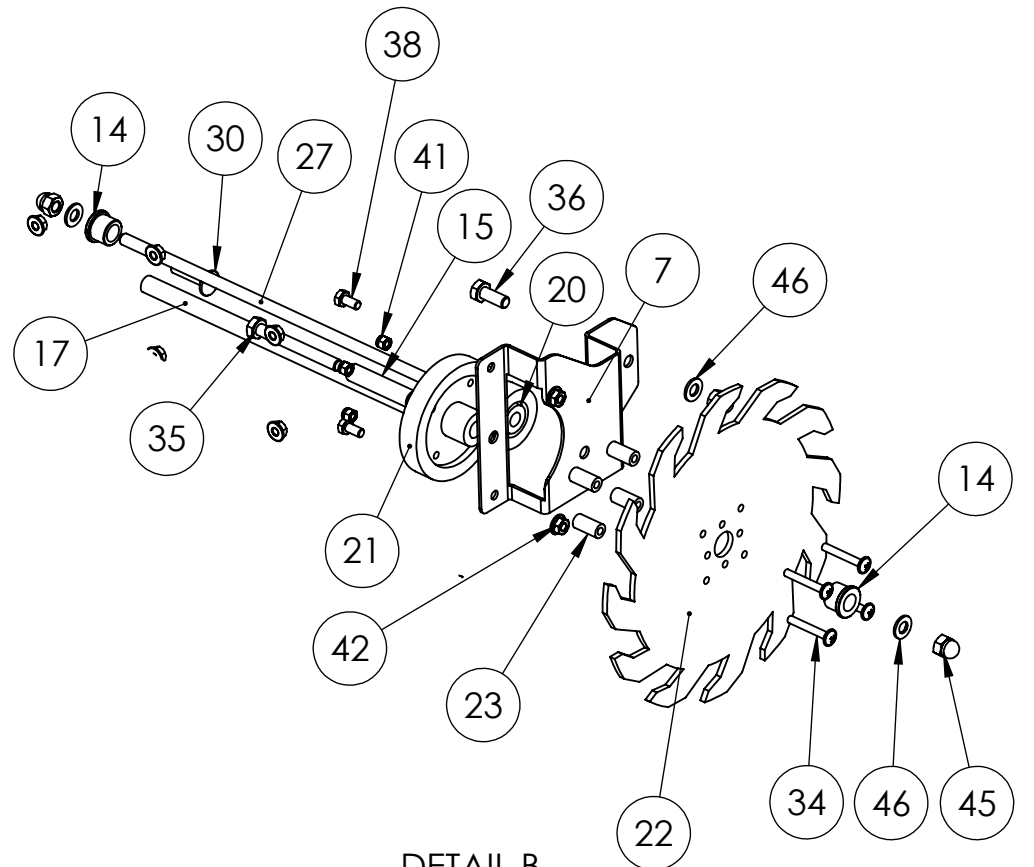
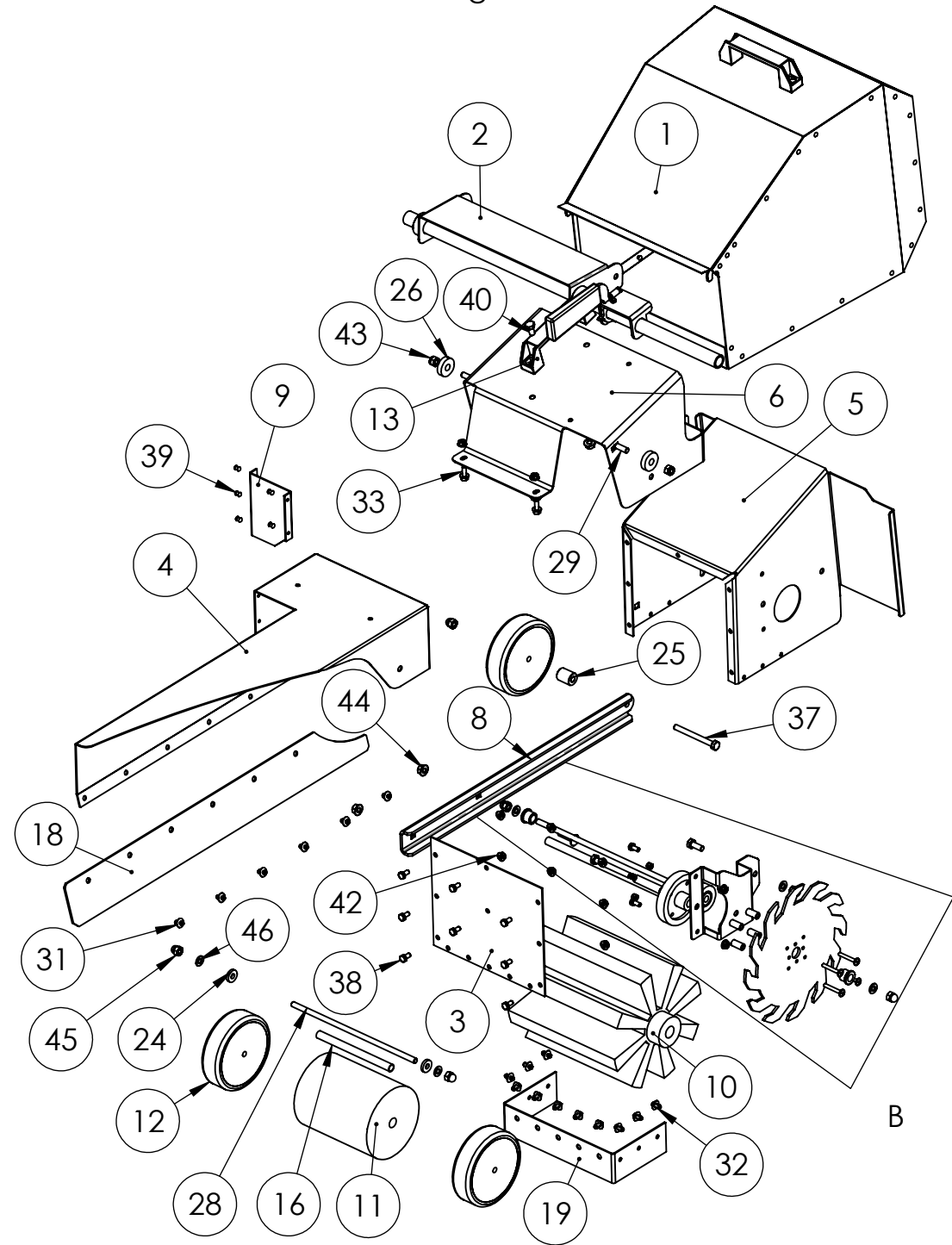


Cleanbag für WR 870

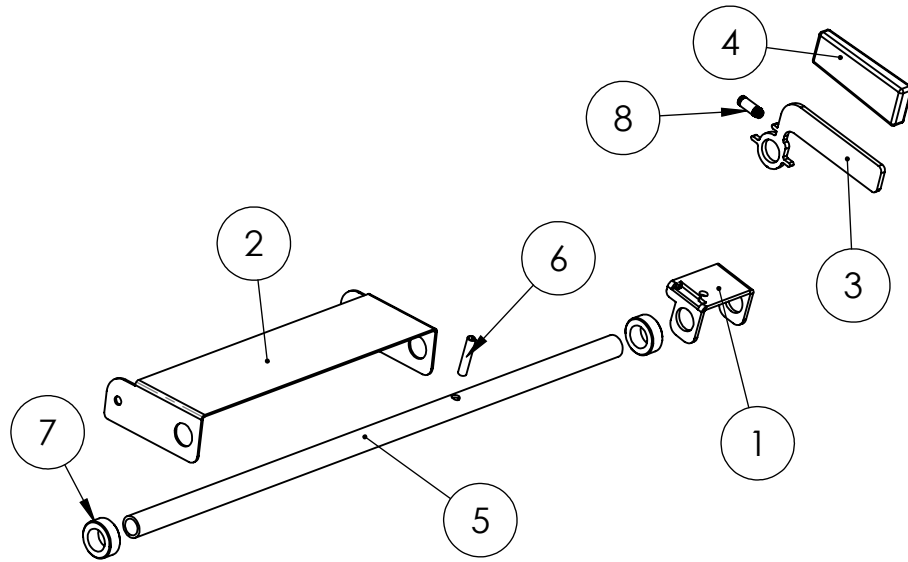


DETAIL B
MABSTAB 1 : 5

| Pos.-Nr. | Artikel | Benennung | part name | Menge/ quantity |
|----------|-------------|------------------------|-----------------------|--------------------|
| 1 | SB-00-00016 | Cleanbag Behälter | collecting tank | 1 |
| 2 | - | Baugruppe Verriegelung | interlocking assembly | 1 |
| 3 | LA-00-00362 | Deckel | cover | 1 |
| 4 | LA-00-00364 | Auffangblech | collecting plate | 1 |
| 5 | LA-00-00360 | Bürstengehäuse | brush cover | 1 |
| 6 | LA-00-00361 | Aussenblech | outside panel | 1 |
| 7 | LA-00-00363 | Lagerblech | bearing plate | 1 |
| 8 | LA-00-00366 | Radstütze | wheel mount | 1 |
| 9 | LA-00-00365 | Abdeckblech | cover plate | 1 |
| 10 | BS-00-00002 | Bürstenwalze | barrel brush | 1 |
| 11 | KT-00-00449 | Schaumstoff-Rolle | foam roller | 1 |
| 12 | RE-00-00010 | Vollgummirad 125er | wheel | 3 |
| 13 | KT-00-00196 | Handgriff aus Polyamid | handle | 1 |
| 14 | KT-00-00441 | Gleitlager | sleeve bearing | 3 |
| 15 | KT-00-00060 | Rohr l=53mm | tube l=53mm | 1 |
| 16 | KT-00-00061 | Rohr l=150mm | tube l=150mm | 1 |
| 17 | KT-00-00062 | Rohr l=265mm | tube l=265mm | 1 |
| 18 | PE-00-00018 | Gummileiste | rubber bar | 1 |
| 19 | PE-00-00010 | Gummileiste | rubber bar | 1 |
| 20 | KT-00-00493 | Zahnrad D=40mm | gear d=40mm | 1 |
| 21 | KT-00-00494 | Zahnrad D=80mm | gear d=80mm | 1 |
| 22 | PE-00-00016 | Zahnrad | gear | 1 |
| 23 | KT-00-00481 | Distanzstück 5,2x10x20 | spacer 5,2x10x20 | 4 |
| 24 | KT-00-00180 | Distanzstück 8,4x20x4 | spacer 8,4x20x4 | 2 |
| 25 | KT-00-00492 | Distanzstück 8,4x20x25 | spacer 8,4x20x25 | 1 |
| 26 | KT-00-00495 | Distanzstück 10,5x30x8 | spacer 10,5x30x8 | 2 |
| 27 | DR-00-00120 | Gewindestange M8x290 | threaded rod M8x290 | 1 |

| Pos.-Nr. | Artikel | Benennung | part name | Menge/ quantity |
|----------|----------------|-----------------------------|-----------------------------|--------------------|
| 28 | DR-00-00121 | Gewindestange M8x255 | threaded rod M8x255 | 1 |
| 29 | DIN-603-M8x25 | Flachrundschrabe M8x25 | mushroom head screw M8x25 | 2 |
| 30 | DIN-603-M8x30 | Flachrundschrabe M8x30 | mushroom head screw M8x30 | 2 |
| 31 | KT-00-00498 | Schraubnieten (A=6) | expanding rivet A=6 | 6 |
| 32 | KT-00-00499 | Schraubnieten (A=7) | expanding rivet A=7 | 11 |
| 33 | DIN-SZ-M6x16 | Sperrzahnschraube M6x16 | locking screw M6x16 | 2 |
| 34 | DIN-7985-M5x35 | Linsenschraube M5x35 | oval-head screw M5x35 | 4 |
| 35 | DIN-931-M8x70 | Sechskantschraube M8x70 | hexagon head screw M8x70 | 1 |
| 36 | DIN-933-M8x20 | Sechskantschraube M8x20 | hexagon head screw M8x20 | 1 |
| 37 | DIN-931-M8x80 | Sechskantschraube M8x80 | hexagon head screw M8x80 | 1 |
| 38 | DIN-933-M6x12 | Sechskantschraube M6x12 | hexagon head screw M6x12 | 10 |
| 39 | KT-00-00491 | Blindniete 4x12 | blind rivet 4x12 | 5 |
| 40 | DIN-933-M8x16 | Sechskantschraube M8x16 | hexagon head screw M8x16 | 2 |
| 41 | DIN-985-M5 | Sechskantmutter M5 selbsts. | self-locking hexagon nut M5 | 4 |
| 42 | DIN-SZ-M6 | Sperrzahnmutter M6 | locking nut M6 | 11 |
| 43 | DIN-985-M8 | Sechskantmutter M8 selbsts. | self-locking hexagon nut M8 | 2 |
| 44 | DIN-SZ-M8 | Sperrzahnmutter M8 | locking nut M8 | 5 |
| 45 | DIN-1587-M8 | Hutmutter M8 | cap nut M8 | 6 |
| 46 | DIN-125-8,4 | Scheibe 8,4 | washer 8,4 | 5 |

Baugruppe Verriegelung



| Pos.-Nr. | Artikel | Benennung | part name | Menge/ quantity |
|----------|---------------|----------------------------|--------------------|--------------------|
| 1 | LA-00-00705 | Führungsblech Verriegelung | guide plate | 1 |
| 2 | LA-00-00703 | Verbindungsblech | connecting plate | 1 |
| 3 | LA-00-00704 | Verriegelungshebel | lever | 1 |
| 4 | KT-00-00102 | Handgriff | handle | 1 |
| 5 | DR-00-00149 | Verbindungsrohr | connecting tube | 1 |
| 6 | DIN-7344-8x50 | Spannstift 8x50 | dowel pin | 1 |
| 7 | KT-00-00688 | Stelling A22 | adjusting ring A22 | 2 |
| 8 | KT-00-00693 | Druckfeder | pressure spring | 1 |